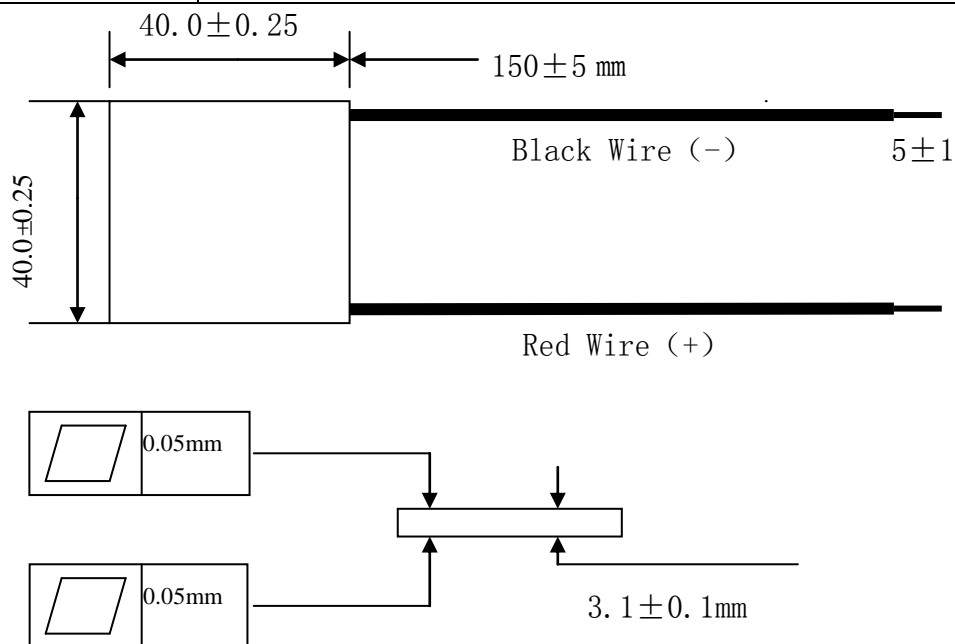




Specification

Item Number:	TEC1-12712
Device Outline	See picture below
Wire Criteria	1.18AWG UL, PVC insulated 2.Standard 105°C tinned copper wire 3.General length: 180±5mm 4.Length of tinning without outer sphere on the end of wire: 5±1.0mm
Resistance (ohms)	Environment Temperature 20°C, 1KHZ,0.95-1.05 (ohms)
Packing	Foam box
Printing	See picture below



Other Requirement:

- 1.Working Temperature:-55°C to +80°C
- 2.Assembled overwhelm force:60lb/Sq.In.
- 3.P/N Couples: 127
- 4.Imax:12A(15.4VDC)
- 5.Vmax:15.4VDC
- 6.Qcmax: 120W (15.4VDC)
- 7.Resistance range:AC-R 0.95-1.05 Ω (Surrounding Temperature 20°C 1KHZ)
8. $\Delta T_{max} \geq 66^\circ\text{C}$
- 9.Wire should be soldered on the hot side
- 10.18AWG UL, PVC insulated, Standard 105°C tinned copper wire