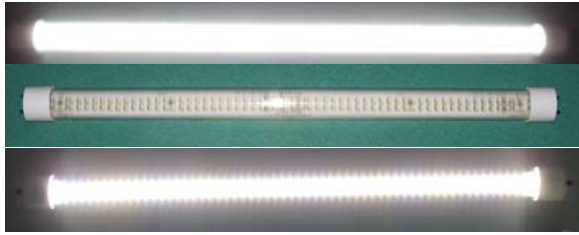


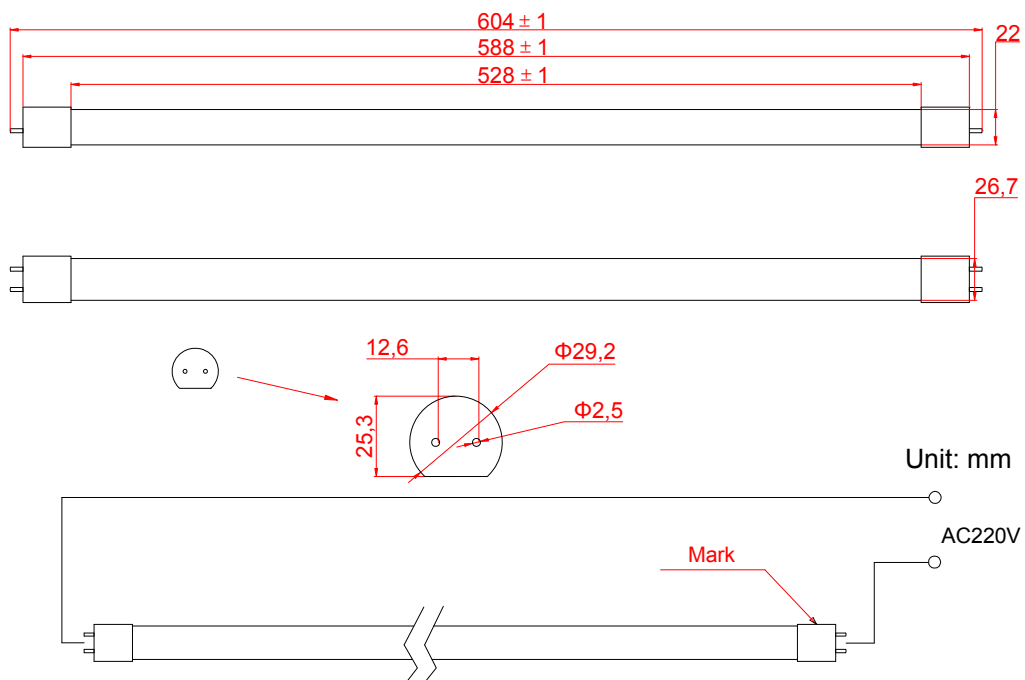
Product Picture:

Product P/N: T -X-220V-604-D



Color Code(X)	
Color	Code
Pure White	WP
Warm White	WW
Red	R
Green	G
Blue	B
Yellow	Y

Product Dimension Characteristics

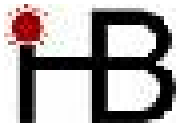


Notes

- 1.Warning: prevent link electronic ballast and inductive ballast
- 2.Tolerance is ± 0.3 mm unless otherwise specified.
3. Ac input method: Double-ended input

Features:

1. Emitted Color : Red、Green、Blue、Yellow、Pure White、Warm White
2. Super energy saving and Environmental protection
3. Soft light, pure spectrum could protect to the eyesight
4. Life of the product is much longer than Traditional fluorescent lamp
5. The product does not need to use the electronic ballast and starter
6. Choices of illuminous intensities for indoor and outdoor application.
7. Lifetime of the product is more than 30000 hours
- 8.Operating Temperature Range:-20℃~40℃



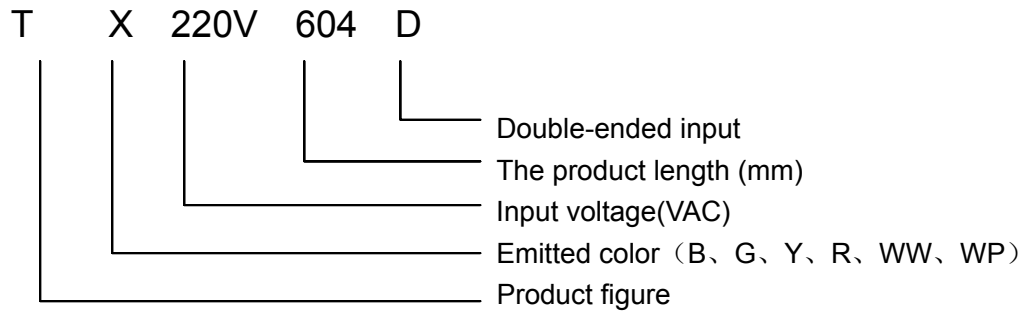
Typical Electrical Characteristics

Parameter	Symbol	Min.	Typ.	Max.	Unit
Input Voltage (AC)	V_{in}	210	220	240	V
Power Dissipation	P_d	---	8	---	W

Optical Characteristics(Ta=25°C)

Emitting Color	Wavelength	Luminous Flux(LM) Type	Viewing Angle(Θ)
Pure White	3000K-8000K	400	120
Warm White	3000k-5000K	220	120
Red	625nm	45	120
Green	525nm	170	120
Blue	470 nm	60	120
Yellow	590nm	45	120

The Rules For Naming



Product Packaging Picture



35X30X610 unit:mm
1PCS in this box



180X155X610 unit:mm
25PCS in this box