



### ● Product Picture/产品外观图片



### ● Features/产品特性描述

1. Emitted Color/发光颜色: Red/红、Green/绿、Blue/蓝.
2. Super energy saving and environmental protection/非常节能和环保.
3. Choices of luminous intensities for indoor application/选择的发光强度适合于室内应用.
4. Waterproof grade/防水等级:IP54.
5. High reliability and long life /高可靠性, 长寿命.

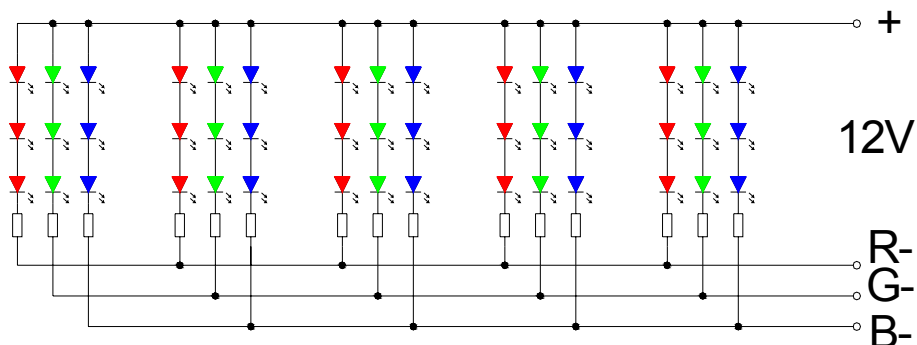
### ● Absolute Maximum Ratings /产品的极限使用条件

| Parameter /项目 Sy       | mbol /代码        | Rating /范围           |          |          | Unit |
|------------------------|-----------------|----------------------|----------|----------|------|
|                        |                 | Min./最小值             | Typ./标准值 | Max./最大值 |      |
| Input Voltage DC /输入电压 | V <sub>in</sub> | 11                   | 12       | 13       | V    |
| Input Current DC/输入电流  | I(rms)          | -                    | 0.27     | 0.3      | A    |
| Operating Tem./工作温度    | T <sub>a</sub>  | -25                  | 25       | 50       | °C   |
| Operating Hum./相对湿度    | H <sub>a</sub>  | 5%-95%(No Water/不结露) |          |          | -    |
| Storage Tem./存储温度      | T <sub>s</sub>  | -30~65               |          |          | °C   |

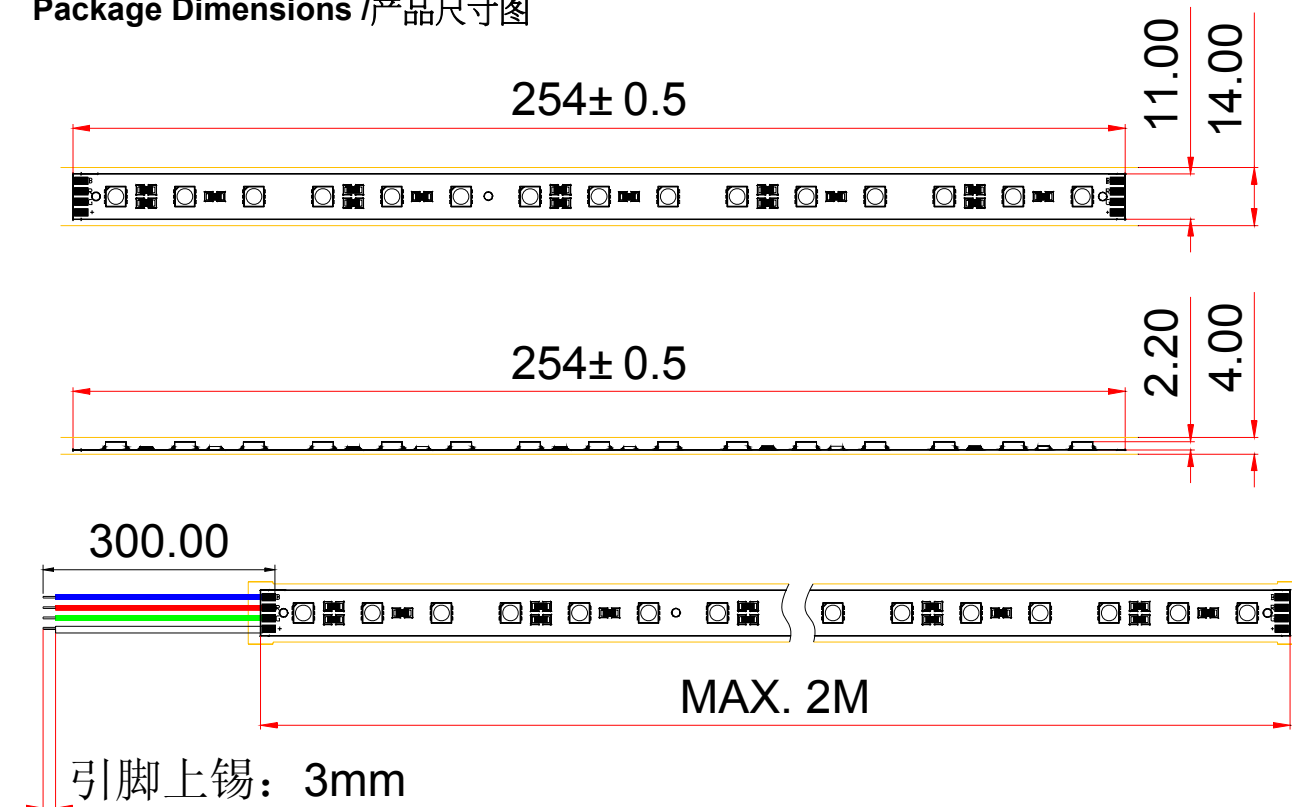
### ● Electrical and optical characteristics (Ta=25°C) /产品的电气及光电参数

| Parameter /项目         | Condition /条件        | Symbol /代码     | Min. /最小值 | Typ./标准值 | Max./最大值 | Unit |
|-----------------------|----------------------|----------------|-----------|----------|----------|------|
| Power Dissipation /功率 | V <sub>in</sub> =12V | P <sub>d</sub> | -         | 3.5      | 4        | W    |
| Luminous Flux /光通量    | V <sub>in</sub> =12V | IV(R)          | -         | 45       | -        | Lm   |
|                       |                      | IV(B)          | -         | 11       | -        | Lm   |
|                       |                      | IV(G)          | -         | 51       | -        | Lm   |
| Color Temperature /色温 | V <sub>in</sub> =12V | C.T.(R)        | 620       | 625      | 630      | nm   |
|                       |                      | C.T.(B)        | 465       | 470      | 475      | nm   |
|                       |                      | C.T.(G)        | 520       | 525      | 530      | nm   |
| Viewing Angle /发光角度   | V <sub>in</sub> =12V | θ              | -         | 120      | -        | Deg  |

### ● Circuit Diagram/产品线路图



● **Package Dimensions /产品尺寸图**



**Notes /备注:**

1. All dimensions are in millimeters. /所有的尺寸单位为 mm.
2. Tolerance is  $\pm 0.5$  mm unless otherwise specified. /默认的尺寸公差为 $\pm 0.5$  mm.
3. Specifications are subject to change without notice. /产品外形若有变更, 恕不特别通知.

● **Product Packaging Picture/产品包装图**



212X212X1.4

one reel in the bag

1 卷/包



220X210X75

four bags in the box

4 包/盒