



COB-G SPECIFICATION

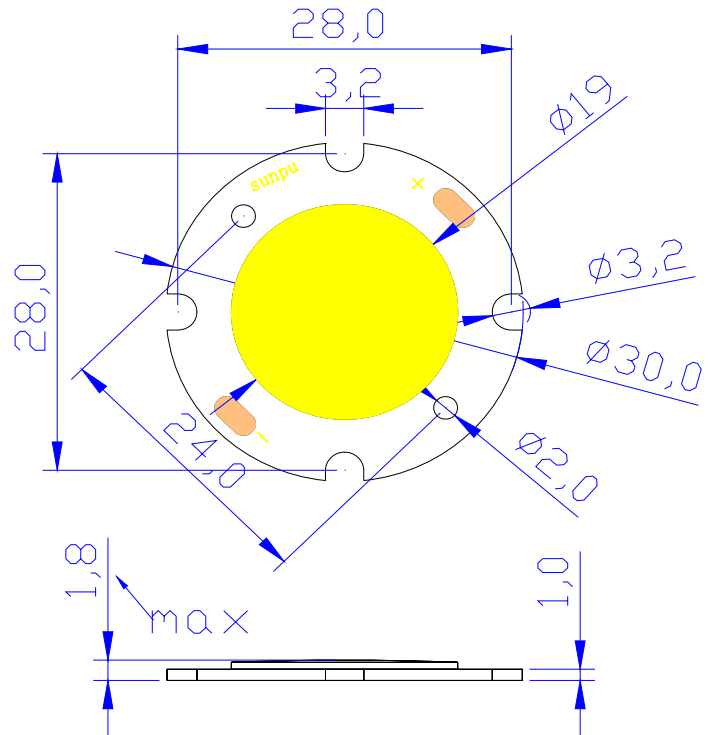
Part No.: RG3N25W6-700mA

Features:

- ✧ High radiometric power per LED
- ✧ Very long operating life
- ✧ More Energy Efficient than Incandescent and most Halogen lamps
- ✧ Easy installation with Screws

Typical Applications:

- ✧ Spot light
- ✧ Bulb
- ✧ Down Light
- ✧ cornering lamp
- ✧ Panel Light
- ✧ Street Light



Product Picture:

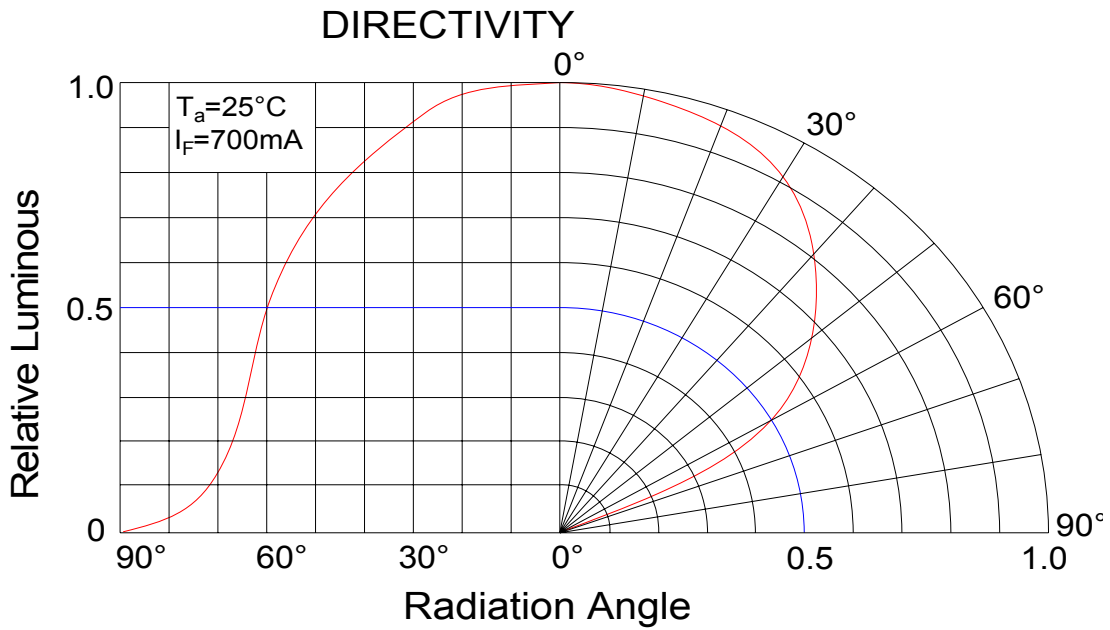


NOTES:

- ✧ All dimensions are millimeter.
- ✧ Tolerance is ± 0.1 mm unless otherwise noted.
- ✧ It is strongly recommended that the temperature of lead be not higher than 85°C.
- ✧ The appearance and specifications of the product may be modified for improvement without notice.



Typical Radiation Pattern



Absolute maximum ratings ($T_a = 25^{\circ}\text{C}$)

Parameter	Symbol	Test Condition	Value		Unit
			Min.	Max.	
DC Forward Current	I_F	----	----	840	mA
Peak Pulse Current	I_{peak}	Duty=1/10 1kHz	----	1000	mA
Power Dissipation	P_d	----	----	31	W
LED Junction Temperature	T_J	----	----	125	$^{\circ}\text{C}$
Operating Temperature	T_{opr}	----	-25	+85	$^{\circ}\text{C}$
Storage Temperature	T_{str}	----	-40	+100	$^{\circ}\text{C}$
ESD Sensitivity	----	HBM	8000	----	V
Soldering Temperature	----	----	220 $^{\circ}\text{C}$ for 5 Seconds max		



COB-G
SPECIFICATION

Part No.: RG3N25W6-700mA

Electrical and optical characteristics (T_a = 25°C)

Parameter	Symbol	Test Condition	Value			Unit
			Min.	Typ.	Max.	
Forward Voltage	V _F	I _F = 700mA		36		V
Luminous Flux	Φ _v			3000	----	lm
Viewing Angle	2θ 1/2		----	120	----	Deg.
Color Temperature	CCT		5000	-----	6500	K
Color Rendering	R _a		70		--	
Thermal Resistance	R _J	-----		1		°C/W

Luminous Flux Bins (T_a = 25°C)

Unit: lm

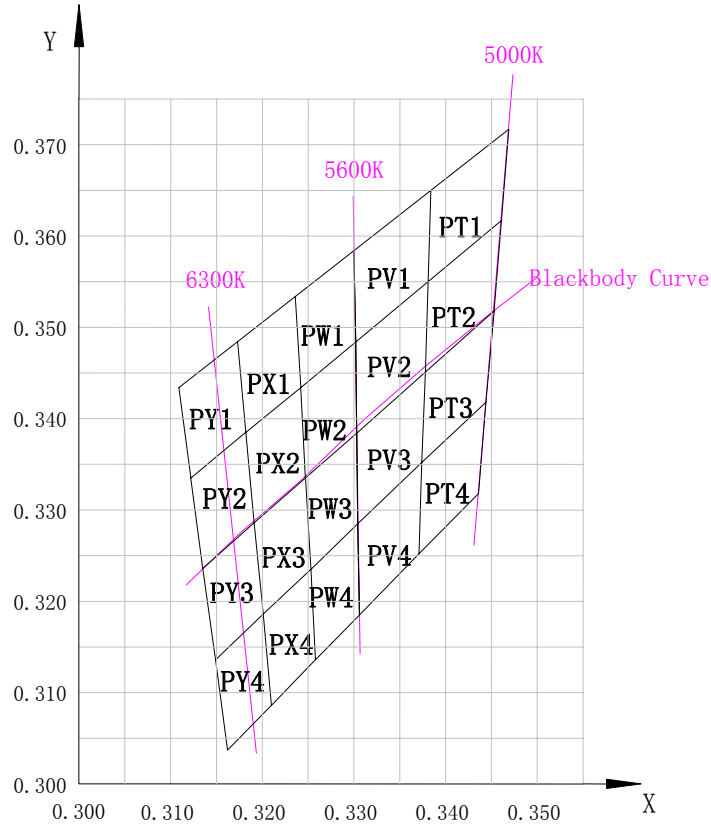
Bin	R2	S2	T2
Min	3000	3500	4000
Max	3500	4000	4500



Part No.: RG3N25W6-700mA

Chromaticity Coordinates Ranks(I_F=700mA T_a=25°C)

Bin	x1	y1	x2	y2	x3	y3	x4	y4
PT1	0.3384	0.3650	0.3381	0.3550	0.3461	0.3617	0.3469	0.3717
PT2	0.3381	0.3550	0.3378	0.3451	0.3453	0.3518	0.3461	0.3617
PT3	0.3378	0.3451	0.3374	0.3352	0.3444	0.3418	0.3453	0.3518
PT4	0.3374	0.3352	0.3371	0.3252	0.3436	0.3318	0.3444	0.3418
PV1	0.3300	0.3584	0.3302	0.3484	0.3381	0.3550	0.3384	0.3650
PV2	0.3302	0.3484	0.3303	0.3384	0.3378	0.3451	0.3381	0.3550
PV3	0.3303	0.3384	0.3304	0.3285	0.3374	0.3352	0.3378	0.3451
PV4	0.3304	0.3285	0.3306	0.3185	0.3371	0.3252	0.3374	0.3352
PW1	0.3236	0.3534	0.3242	0.3434	0.3302	0.3484	0.3300	0.3584
PW2	0.3242	0.3434	0.3247	0.3335	0.3303	0.3384	0.3302	0.3484
PW3	0.3247	0.3335	0.3253	0.3235	0.3304	0.3285	0.3303	0.3384
PW4	0.3253	0.3235	0.3258	0.3136	0.3306	0.3185	0.3304	0.3285
PX1	0.3173	0.3484	0.3182	0.3385	0.3242	0.3434	0.3236	0.3534
PX2	0.3182	0.3385	0.3191	0.3286	0.3247	0.3335	0.3242	0.3434
PX3	0.3191	0.3286	0.3201	0.3186	0.3253	0.3235	0.3247	0.3335
PX4	0.3201	0.3186	0.3210	0.3086	0.3258	0.3136	0.3253	0.3235
PY1	0.3109	0.3434	0.3122	0.3335	0.3182	0.3385	0.3173	0.3484
PY2	0.3122	0.3335	0.3135	0.3236	0.3191	0.3286	0.3182	0.3385
PY3	0.3135	0.3236	0.3149	0.3136	0.3201	0.3186	0.3191	0.3286
PY4	0.3149	0.3136	0.3162	0.3037	0.3210	0.3086	0.3201	0.3186

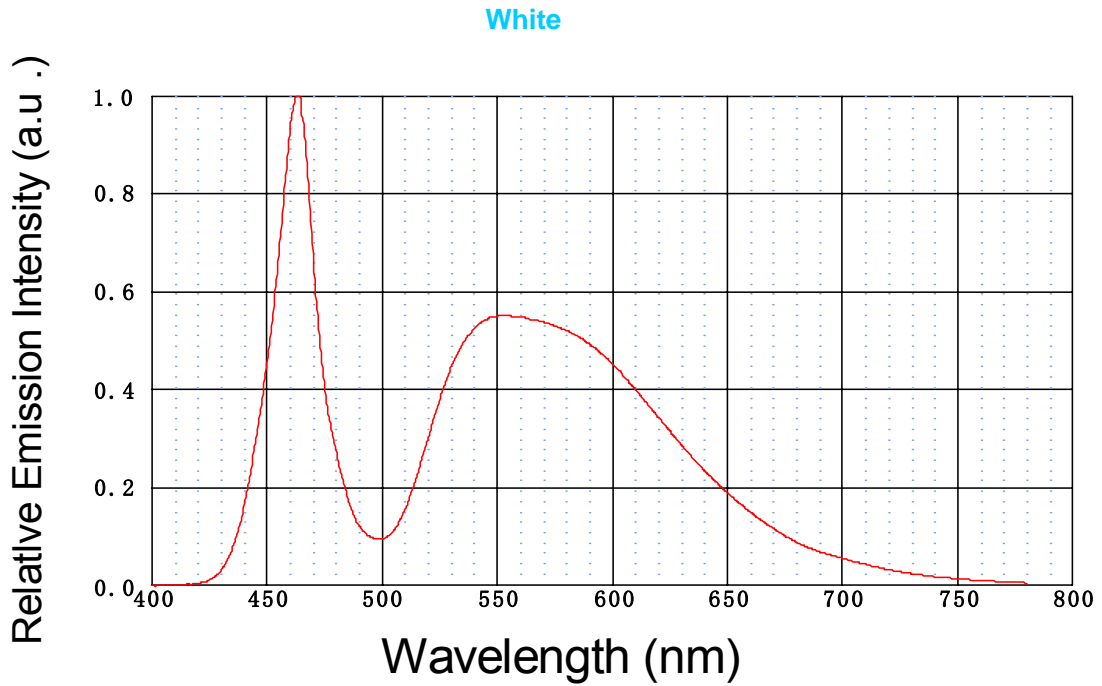


Notes:

1. * Ranking at $T_c=25^{\circ}\text{C}$
2. * It is strongly recommended that the temperature of lead be not higher than 85°C
3. * Tolerance of measurements of the Forward Voltage is $\pm 2\%V$
4. * Tolerance of measurements of the Luminous Flux is $\pm 10\%$
5. * Tolerance of measurements of the Color Rendering R_a is ± 3
6. * Chromaticity Coordinates (x,y) is measured with an accuracy of ± 0.01



Characteristic spectrum : $T_J=25^{\circ}\text{C}$





Typical electrical/optical characteristic curves:

Fig.1 Forward Current(mA) Vs. Forward Voltage(V)

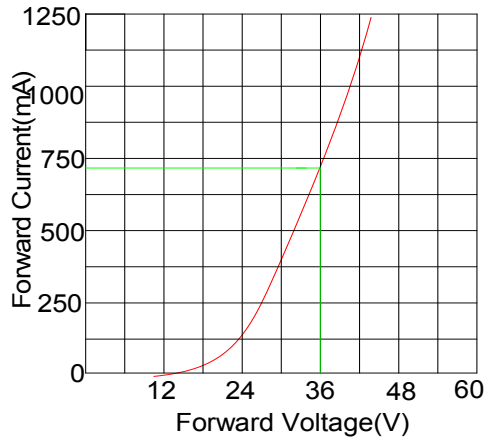


Fig.2 Relative Intensity Vs Forward Current (mA)

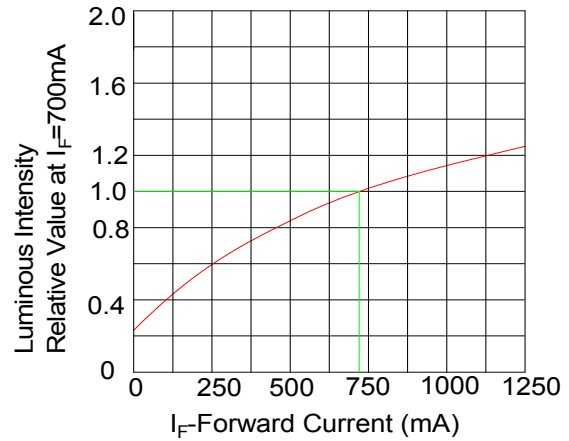


Fig.3 Forward Current Vs Ambient Temperature

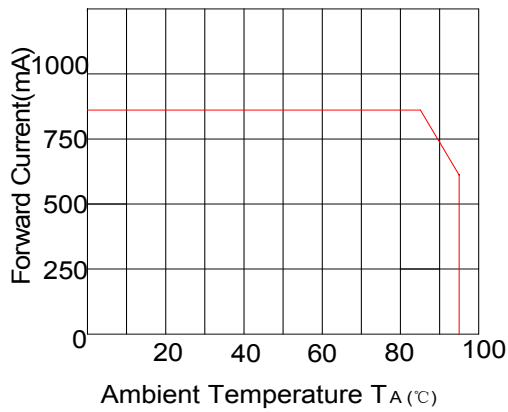
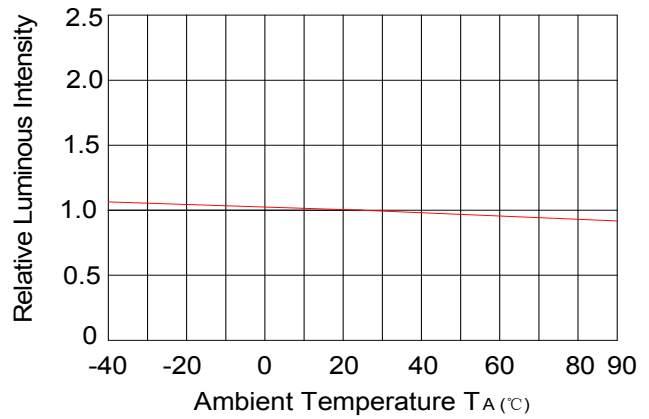


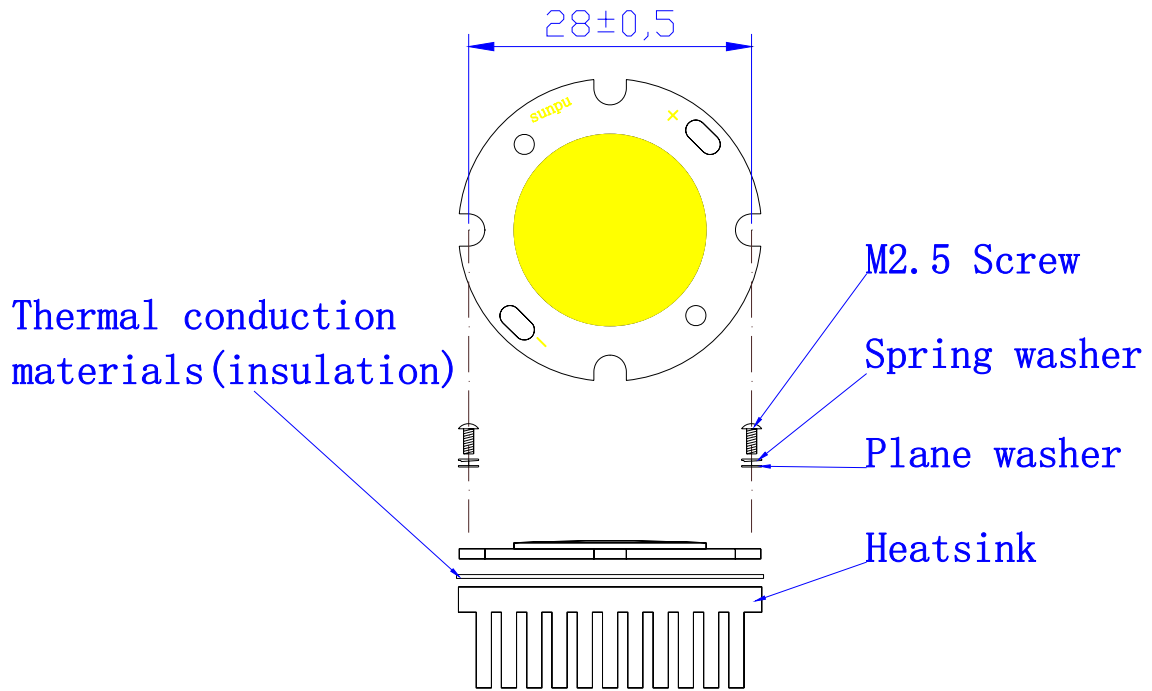
Fig.4 Relative Intensity Vs. Ambient Temperature





Part No.: RG3N25W6-700mA

Recommended installation screw pitch



If you can not solve the heat problem, the product will destroy easily. Suggest that the surface of the heat sink is $35\text{cm}^2/\text{W}$