

● Product Picture/产品外观图片

● Features/产品特性描述

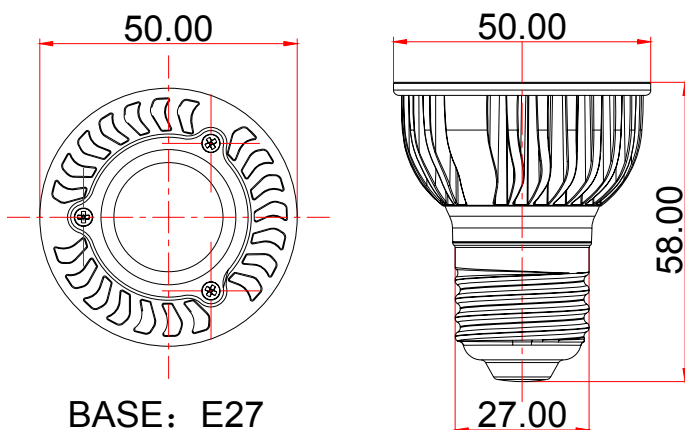
1. Emitted Color/发光颜色: Pure White/正白、Warm White/暖白
2. Lens Appearance/发光体种类: Water Clear/透明
3. Material of crust /外壳材质: Aluminum hull /铝质外壳
4. CE Approved /产品安全规范符合 CE 标准
5. RoHS Compliant /产品符合欧盟相关 RoHS 法规
6. Base Type /接口类型: E27
7. Choices of luminous intensities for indoor application/选择的发光强度适合于室内照明
8. The useful lifetime of the product is more than 30000 hours/该产品使用寿命超过 30000 小时

● Absolute Maximum Ratings /产品的极限使用条件

| Parameter /项目 | Symbol /代码 | Rating /范围 | | | Unit |
|-----------------------|-----------------|----------------------|----------|----------|------|
| | | Min./最小值 | Typ./标准值 | Max./最大值 | |
| Input Voltage AC/输入电压 | V _{in} | 90 | 230 | 245 | V |
| AC Frequency /电压频率 | F | 47 | 50 | 63 | Hz |
| Input Current AC/输入电流 | I(rms) | 0.036 | 0.032 | 0.068 | A |
| Operating Tem./工作温度 | T _a | -25 | 25 | 50 | °C |
| Operating Hum./相对湿度 | H _a | 5%-95%(No Water/不结露) | | | - |
| Storage Tem./存储温度 | T _s | -35~60 | | | °C |

● Electrical and optical characteristics (Ta=25°C) /产品的电气及光电参数

| Parameter /项目 | Condition/条件 | Symbol /代码 | Min./最小值 | Typ./标准值 | Max./最大值 | Unit |
|-----------------------|-----------------------------|----------------|----------|----------|----------|------|
| Power Dissipation /功率 | V _{in} =230V~,50Hz | P _d | 3.5 | 4 | 5 | W |
| Luminous Flux /光通量 | V _{in} =230V~,50Hz | IV(P) | 120 | 150 | 180 | Lm |
| | | IV(W) | 100 | 130 | 160 | Lm |
| Color Temperature /色温 | V _{in} =230V~,50Hz | C.T.(P) | 4000 | 6000 | 8000 | K |
| | | C.T.(W) | 3000 | 3500 | 4000 | K |
| Viewing Angle /发光角度 | V _{in} =230V~,50Hz | θ | - | 45 | - | Deg |

● Package Dimensions /产品尺寸图

Notes /备注:

1. All dimensions are in millimeters. /所有的尺寸单位为 mm.
2. Tolerance is ±0.5 mm unless otherwise specified. /默认的尺寸公差为±0.5 mm.
3. Specifications are subject to change without notice. /产品外形若有变更, 恕不特别通知.