

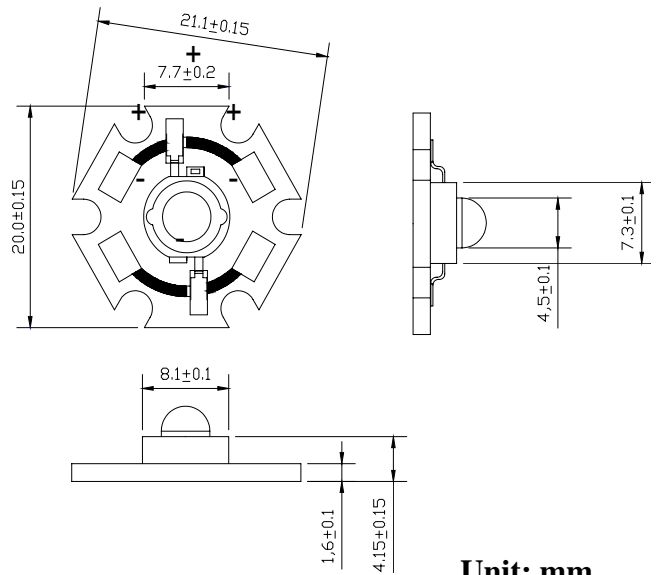


Features:

- Highest Flux Red
- High reliability and Very long operating life
- Low voltage DC operated
- More Energy Efficient
- NO UV
- Superior ESD protection
- RoHS Compliant

Typical Applications:

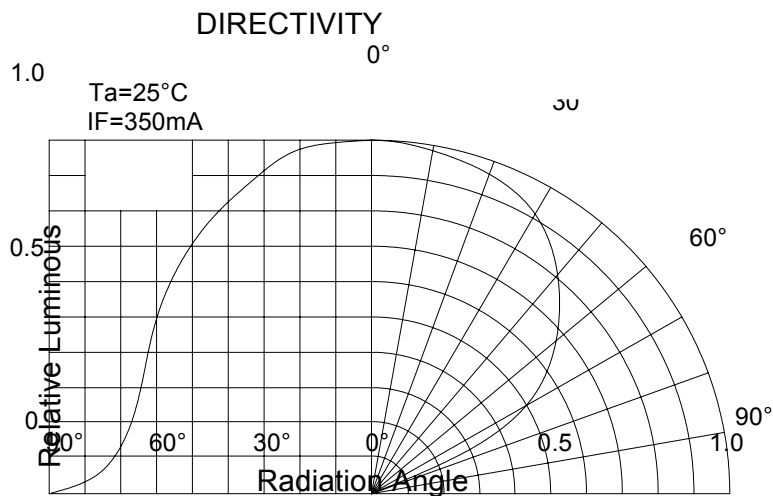
- Reading lights
- Portable
- Automotive Exterior
- Decorative

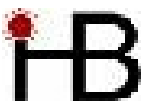


Unit: mm

NOTE:

- All dimensions are millimeter.
- Tolerance is ± 0.1 mm unless otherwise noted





Absolute maximum ratings (Ta = 25°C)

Part No.: G0&@F &7

| Parameter | Symbol | Test Condition | Value | | Unit |
|--------------------------|--------|------------------|-------------------------|------|------|
| | | | Min. | Max. | |
| DC Forward Current | IF | ---- | ---- | 350 | mA |
| Peak Pulse Current | Ipeak | Duty=0.1mS, 1kHz | ---- | 500 | mA |
| Power Dissipation | Pd | ---- | ---- | 0.98 | W |
| LED Junction Temperature | Tj | ---- | ---- | 120 | °C |
| Operating Temperature | Topr | ---- | -25 | +100 | °C |
| Storage Temperature | Tstr | ---- | -40 | +120 | °C |
| ESD Sensitivity | --- | HBM | 8000 | ---- | V |
| Soldering Temperature | --- | ---- | 260°C for 5 Seconds max | | |

Electrical and optical characteristics (Ta = 25°C)

| Parameter | Symbol | Test Condition | Value | | | Unit |
|---------------------|--------|----------------|-------|------|------|------|
| | | | Min. | Typ. | Max. | |
| Forward Voltage | VF | IF = 350mA | ---- | 2.5 | 3 | V |
| Luminous Flux | Φv | | 30 | ---- | ---- | lm |
| Viewing Angle | 2θ 1/2 | | ---- | 120 | ---- | Deg. |
| Dominant Wavelength | λd | | 620 | ---- | 630 | nm |

Luminous Flux Bins (Ta = 25°C)

Unit: lm

| | | |
|-----|----|----|
| Bin | G | H |
| Min | 30 | 40 |
| Max | 40 | 50 |

Dominant Wavelength- λd (Ta = 25°C)

Unit: nm

| | | | | |
|-----|-----|-----|-----|-----|
| Bin | A | V | O | U |
| Min | 600 | 610 | 620 | 630 |
| Max | 610 | 620 | 630 | 640 |