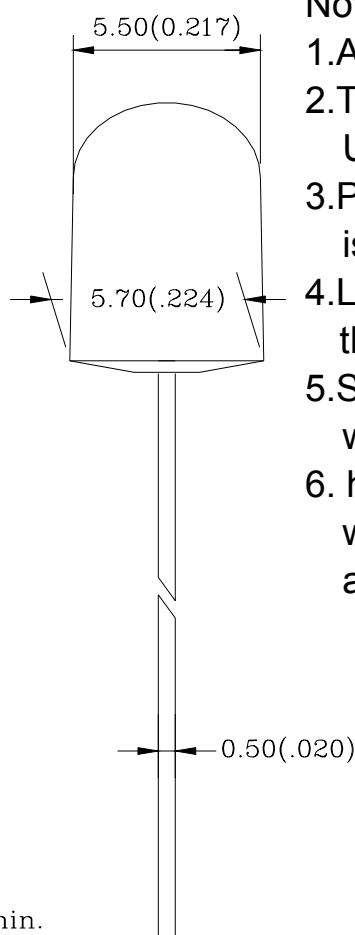
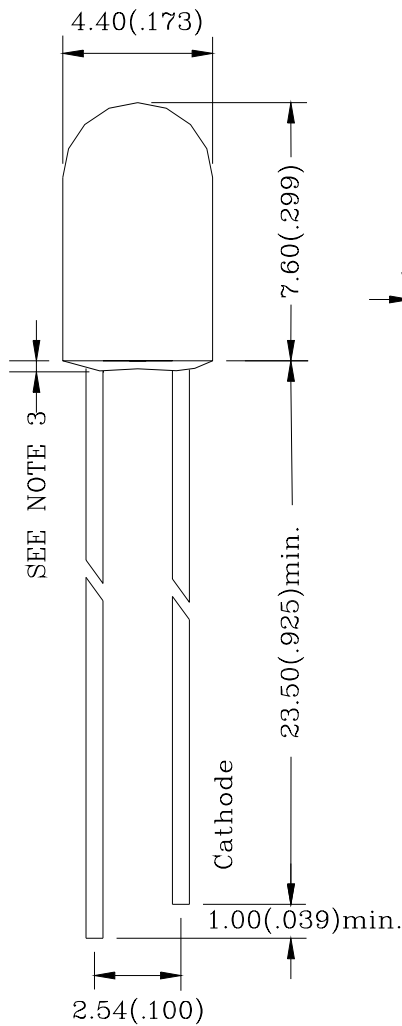
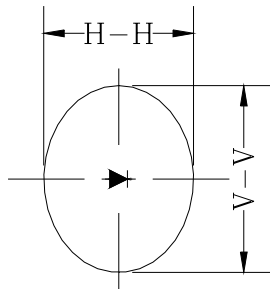




5.5\*4.4 mm DIA ELLIPSE LED LAMP  
L-763LPG41C

PACKAGE DIMENSIONS



Note:

1. All Dimensions are in millimeters.
2. Tolerance is  $\pm 0.25\text{mm}$  (0.010 ") Unless otherwise specified.
3. Protruded resin under flange is 1.5mm (0.059 ") max.
4. Lead spacing is measured where the leads emerge from the package.
5. Specification are subject to change without notice
6. highlight <-400V the led can withstand the max static level when assembling or operation.



5.5\*4.4 mm DIA ELLIPSE LED LAMP  
L-763LPG41C

FEATURES

- \* SUITABLE HIGH PULSE CURRENT OPERATION
- \* EXTRA HIGH RADIANT POWER AND RADIANT INTENSITY
- \* HIGH RELIABILITY
- \* LOW FORWARD VOLTAGE

CHIP MATERIALS

- \* Dice Material : GaInN/GaN
- \* Light Color : ULTRA PURE GREEN
- \* Lens Color : WATER CLEAR

ABSOLUTE MAXIMUM RATING:(Ta=25°C)

SYMBOL	DESCRIPTION	ULTRA PURE GREEN	UNIT
PAD	Power Dissipation Per Chip	120	mW
VR	Reverse Voltage Per Chip	5	V
IF	Average Forward Current Per Chip	30	mA
-	Derating Linear From 25°C Per Chip	0.4	mA/°C
Topr	Operating Temperature Range	-25°C to 85°C	
Tstg	Storage Temperature Range	-40°C to 85°C	
Lead Soldering Temperature { 1.6mm(0.063 inch) From Body } 260°C±5°C For 5 Seconds			

ELECTRO-OPTICAL CHARACTERISTICS:(Ta=25°C)

SYMBOL	DESCRIPTION	TEST CONDITION	MIN.	TYP.	MAX.	UNIT
VF	Forward Voltage	IF = 20mA		3.7	4.0	V
IR	Reverse Current	VR = 5V			100	µA
λD	Dominant Wavelength	IF = 20mA		528		nm
Δλ	Spectral Line Half-Width	IF = 20mA		22		nm
2θ1/2	Half Intensity Angle(H/V)	IF = 20mA		20/55		deg
IV	Luminous Intensity	IF = 20mA		7000		mcd



# 5.5\*4.4 mm DIA ELLIPSE LED LAMP

## L-763LPG41C

