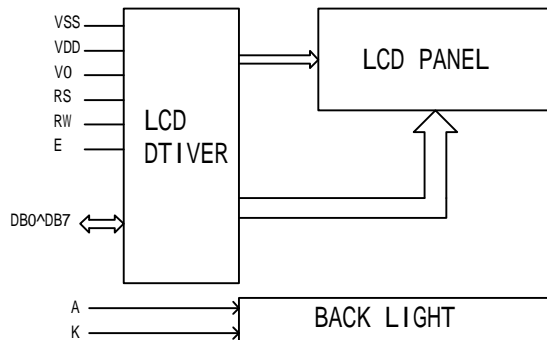


Pin	Symbol
1	VSS
2	VDD
3	VO
4	RS
5	RW
6	E
7~14	DB0~DB7
15	A
16	K



Display character address code

Display position	1	16. 17... 20
DDRAM address	00	0F 10... 13
DDRAM address	40	4F 51... 53
DDRAM address	14	23 24... 27
DDRAM address	53	63 64... 67

Mechanical thickness

LCD module thickness	T1	T2	UNIT
Without or EL Backlight	5.0	9.6	mm
With Edge Led Backlight	---	---	mm
With Led Bottom Backlight	9.6	14.2	mm

<http://www.hebeitd.com.cn/?p=LCM>

PERFORMANCE FEATURES	
LC FLUID:	STN/POSITIVE
SUPPLY VOLTAGE:	VDD=5.0V/3.3V
POLARIZER:	TRANSFLECTIVE 1/16DUTY 1/5BIAS
VIEWING ANGLE:	6:00
COLOR:	YG/BLUE
BACKLIGHT:	LED
TEMPERATURE RANGE:	-20° C TO 70° C

Mechanical data

Item	Standard	Unit
Module size	98.0*60.0	mm
View area	76.0*25.2	mm
Dot size	0.55*0.55	mm
Character size	2.95*4.75	mm

DRAWN BY:	DOC.: ATM2004D-FS-BBW	
CHECKED BY:	DWG NO: ATM2004D-FS-BBW	
APPROVED BY:	DATE: 2016.01.02	UNIT: mm
CONFIRMED BY:	SHEET NO: 1 of 1	