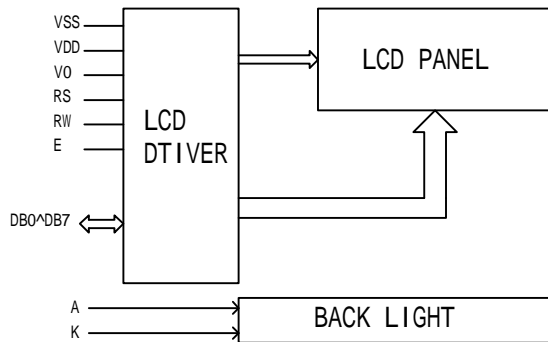


Pin	Symbol
1	VSS
2	VDD
3	VO
4	RS
5	RW
6	E
7~14	DB0~DB7
15	A
16	K



Display character address code
 Display position 1 16. 17... 20
 DDRAM address 00 0F 10... 13
 DDRAM address 40 4F 51... 53

Mechanical thickness

LCD module thickness	T1	T2	UNIT
Without or EL Backlight	4.6	10.0	mm
With Edge Led Backlight	---	---	mm
With Led Bottom Backlight	9.4	14.2	mm

<http://www.hebeitd.com.cn/?p=LCM>

PERFORMANCE FEATURES	
LC FLUID:	STN/POSITIVE
SUPPLY VOLTAGE:	VDD=5.0V/3.3V
POLARIZER:	TRANSFLECTIVE 1/16DUTY 1/5BIAS
VIEWING ANGLE:	6:00
COLOR:	YG/BLUE
BACKLIGHT:	LED
TEMPERATURE RANGE:	-20° C TO 70° C

Mechanical data		
Item	Standard	Unit
Module size	116.0*37.0	mm
View area	83.0*18.6	mm
Dot size	0.60*0.65	mm
Character size	3.20*5.55	mm

DRAWN BY:	DOC.: ATM2002D-FS-BBW	
CHECKED BY:	DWG NO: ATM2002D-FS-BBW	
APPROVED BY:	DATE: 2016.01.02	UNIT: mm
CONFIRMED BY:	SHEET NO: 1 OF 1	