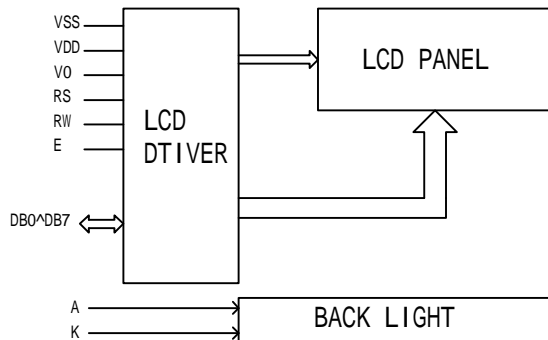


| Pin | Symbol |
|------|---------|
| 1 | VSS |
| 2 | VDD |
| 3 | VO |
| 4 | RS |
| 5 | RW |
| 6 | E |
| 7~14 | DB0~DB7 |
| 15 | A |
| 16 | K |



Display character address code
 Display position 1 16, 17... 20
 DDRAM address 00 0F 10... 13
 DDRAM address 40 4F 51... 53

Mechanical thickness

| LCD module thickness | T1 | T2 | UNIT |
|---------------------------|-----|------|------|
| Without or EL Backlight | 4.6 | 10.0 | mm |
| With Edge Led Backlight | --- | --- | mm |
| With Led Bottom Backlight | 9.4 | 14.2 | mm |

<http://www.hebeitd.com.cn/?p=LCM>

| PERFORMANCE FEATURES | |
|----------------------|--------------------------------|
| LC FLUID: | STN/POSITIVE |
| SUPPLY VOLTAGE: | VDD=5.0V/3.3V |
| POLARIZER: | TRANSFLECTIVE 1/16DUTY 1/5BIAS |
| VIEWING ANGLE: | 6:00 |
| COLOR: | YG/BLUE |
| BACKLIGHT: | LED |
| TEMPERATURE RANGE: | -20° C TO 70° C |

| Mechanical data | | |
|-----------------|------------|------|
| Item | Standard | Unit |
| Module size | 116.0*37.0 | mm |
| View area | 83.0*18.6 | mm |
| Dot size | 0.60*0.65 | mm |
| Character size | 3.20*5.55 | mm |

| | | |
|---------------|-------------------------|------------------|
| DRAWN BY: | DOC.: ATM2002D-FL-YBW | |
| CHECKED BY: | DWG NO: ATM2002D-FL-YBW | |
| APPROVED BY: | DATE: 2016.01.02 | SCALE: UNIT: mm |
| CONFIRMED BY: | | SHEET NO: 1 OF 1 |