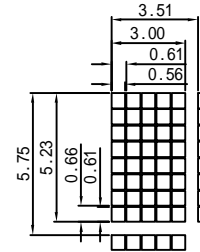
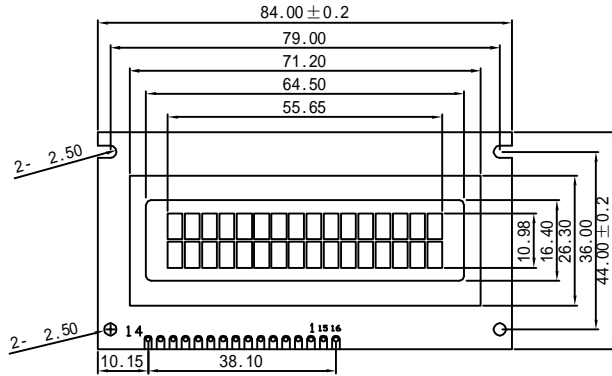


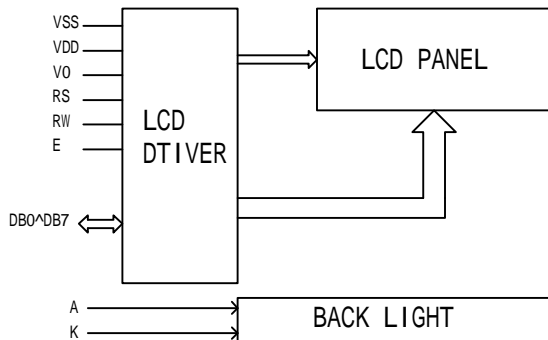


# Hebei I.T. (Shanghai) Co., Ltd

## ATM1602B-FS-BBW



Pin	Symbol
1	VSS
2	VDD
3	VO
4	RS
5	RW
6	E
7~14	DB0~DB7
15	A
16	K



Display character address code  
 Display position 1 2..8 9.. 15 16  
 DDRAM address 00 01..02 0F  
 DDRAM address 40 41..42 4F

### Mechanical thickness

LCD module thickness	T1	T2	UNIT
Without or EL Backlight	4.6	9.5	mm
With Edge Led Backlight	---	---	mm
With Led Bottom Backlight	8.6	13.5	mm

<http://www.hebeitd.com.cn/?p=LCM>

PERFORMANCE FEATURES	
LC FLUID:	STN/POSITIVE
SUPPLY VOLTAGE:	VDD=5.0V/3.3V
POLARIZER:	TRANSFLECTIVE 1/16DUTY 1/5BIAS
VIEWING ANGLE:	6:00
COLOR:	YG/BLUE
BACKLIGHT:	LED
TEMPERATURE RANGE:	-20° C TO 70° C

Mechanical data		
Item	Standard	Unit
Module size	84.0*44.0	mm
View area	64.5*16.4	mm
Dot size	0.56*0.61	mm
Character size	3.00*5.23	mm

DRAWN BY:	DOC : ATM1602B-FS-BBW	
CHECKED BY:	DWG NO: ATM1602B-FS-BBW	
APPROVED BY:	DATE: 2016.01.02	SCALE: mm
CONFIRMED BY:	SHEET NO: 1 OF 1	